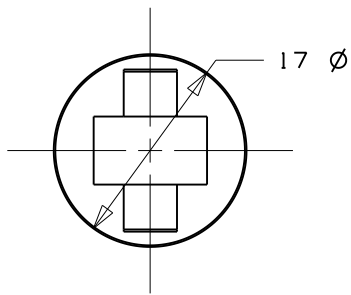
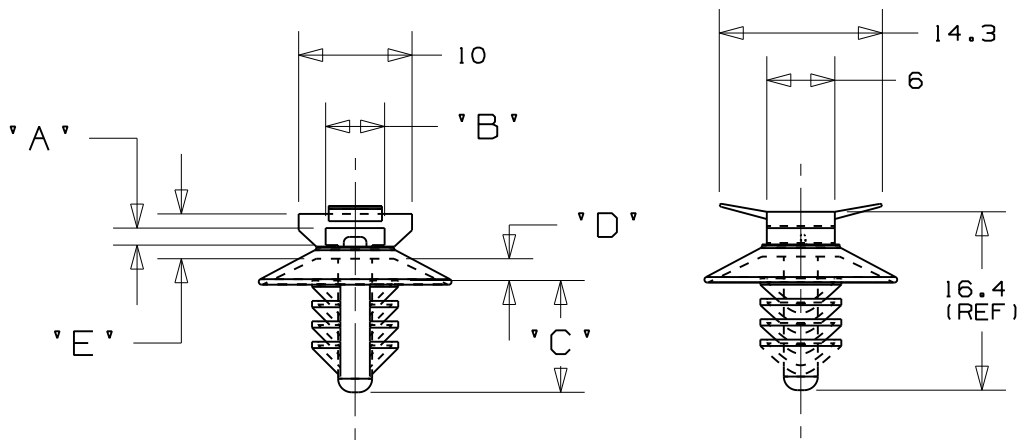


THIS COPY IS PROVIDED ON A RESTRICTED BASIS AND IS NOT TO BE USED IN ANY WAY DETRIMENTAL TO THE INTERESTS OF PANDUIT CORPORATION.

| PANDUIT PART NO. | BUNDLE DIA. MIN - MAX. | DIMENSIONS | | | | | MATERIAL | COLOR | CABLE TIE TYPES | WEIGHT grams 100 pcs |
|------------------|------------------------|------------|-----|-----|-----|-----|-----------|-------|-----------------|----------------------|
| | | 'A' | 'B' | 'C' | 'D' | 'E' | | | | |
| PUMS-H25-...20 | 0 - 30 | 1.5 | 5.2 | 9.8 | 2.0 | 4.6 | NYLON 6/6 | BLACK | M , I , S | 67.8 |



SCALE: FULL

NOTES:

1. SEE CURRENT PRICE SHEET FOR PART NUMBER SUFFIX DESIGNATION FOR PACKAGE SIZE, AND COLOR.
2. (*) DIMENSIONAL VARIANCE IS POSSIBLE DUE TO MOLDING PROCESS RELATED SINK MARKS.
3. APPLICATION SPECIFICATION:
 HOLE DIAMETER: 6.3 - 7.1 mm
 PANEL THICKNESS: 0.3 - 6.5 mm

| | | | |
|---|---------|------------------------|------------|
| CAD FILENAME/LAYERS | | G01932BS_PB_PUMSH25_03 | |
| PANDUIT CORP. | | TINLEY PARK, ILLINOIS | |
| PUSH MOUNT WITH UMBRELLA | | | |
| Unless otherwise specified, all dimensions are metric tolerance; ±0.5mm | | | |
| DRAWN BY | JAD | MAT'L: | SCALE NONE |
| DATE | 7/25/01 | SEE TABLE | |
| CHK'D | | DRAWING NO. | DWG SIZE |
| | | GB1932BS | A |

| REV | DATE | BY | CHK | DESCRIPTION | ECN | R | CUST | SUP |
|-----|---------|-----|-----|------------------------------------|----------|---|------|-----|
| 3 | 8/11/04 | JAD | | REV NOTE 3, WAS 6.3-6.8, 0.5-6.5mm | GB1932BS | 3 | | |

X-ON Electronics

Largest Supplier of Electrical and Electronic Components

Click to view similar products for [Cable Mounting & Accessories](#) category:

Click to view products by [Panduit](#) manufacturer:

Other Similar products are found below :

[HP-4N](#) [582603-1](#) [009333-000](#) [727844N003](#) [809090N001](#) [8109](#) [843188-000](#) [843459N001](#) [843460N003](#) [8666](#) [967279N002](#) [GPQC1/0](#) [DB-](#)
[11](#) [1300830208](#) [1300840039](#) [1300900026](#) [1300990052](#) [1301740005](#) [1301800121](#) [1301800416](#) [1300830184](#) [1300990149](#) [1301580036](#)
[1301720103](#) [1301720135](#) [1301720152](#) [1301720157](#) [1301740009](#) [1301770011](#) [1301850553](#) [1301860939](#) [1302000074](#) [1302264431](#)
[1337706-2](#) [APA18-AK](#) [MTX6UTPSRC-C](#) [1-787307-1](#) [185491N001](#) [HP-6N](#) [C-202-C](#) [202C221-13-0](#) [OMTM-S10-C0](#) [205339-4](#) [CA7308-](#)
[000](#) [8S23-75FR-CS8184](#) [2684](#) [9648](#) [3089](#) [988382-000](#) [A0270164](#)